

Hot | High Power

# FS5000

## ALPHA LITE LED Fresnel Spot Light Data Sheet

### Fixture Information

- FS Series uses a multi-focusing zoom lens based on ALPHA LITE's unique technology
- There is no yellowing phenomenon at the boundary of illuminated light
- FS Series is a single light source with a large capacity, such as a halogen lamp, and the texture of the light source projected by the lens is very soft
- The boundary of the shadow is formed smoothly without sharpness
- Excellent light quality, and average CRI 95~98 / R9, R12 are CRI 90 or higher
- Measured same LUX data at both 3200K / 5600K which shows stable and reliable Optical Technique
- Beam cutting is excellent by adjusting the angle of the barn-door
- FS Series is light weight compare to capacity, and designed sturdy housing
- Support RDM network communication and various mode setting possible
- Smart touch control method makes it easy and convenient to check all information at a glance
- Housing is designed for easy maintenance and repair
- Long life, reduces maintenance costs and power consumption

### Optional Accessories

- Manual yoke
- Pole operation yoke
- Power cable
- DMX cable
- Safety chain
- 4 leaf barn door
- Filter frame
- Clamp
- Soft box
- Jeball

- UHD**  
Quality  
Ultra HD Lighting Quality
- Halogen Alternative
- KG**  
No Heavy Weight
- CRI 95°**  
High CRI True Color
- TCRI 95°**  
High TLCI True Color
- Flicker Free
- Smart Touch Control
- Upgrade  
USB Firmware Upgrade
- Long LED Lifetime

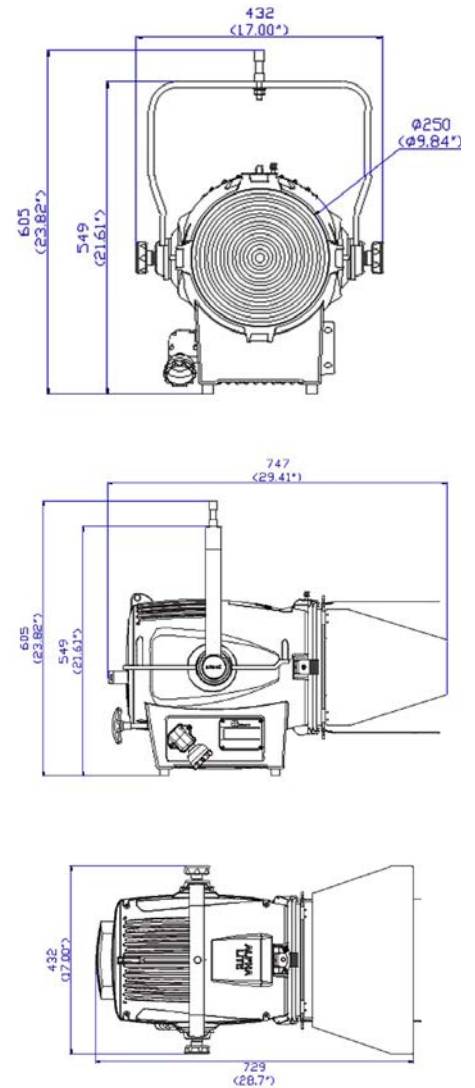


FS5000  
DATA SHEET

## Specifications

LED Chip Type	800W CSP LED
Estimated LED Lifetime (hours)	50,000
White Light (K)	2,900-6,000 (VCT/FCT)
Color Rendition (%)	CRI 98 / TLCI 98
Dimming (%)	0-100 (16-bit)
Lens Diameter (mm/inch)	250 / 9.8
Beam Angle (°)	15-55
Signal Control	5-Pin DMX In and Out
Individual Control	Smart Touch LCD Controller
Supported Protocol	DMX512 / RDM
(Optional) Supported Protocol	DMX512 Wireless / RDM Wireless
Remote Device Management	Supported
Channel Function	Dimming / CCT
Power Input Voltage	AC 100-240V / 50-60Hz
Power Consumption (W)	650
Ambient Temperature Operation (°C)	-20-45
Body Dimensions (mm/inch) (WHD)	328 x 404 x 464 / 12.9 x 15.9 x 18.3
Full Dimensions with Manual Yoke (mm/inch) (WHD)	432 x 605 x 464 / 17 x 23.8 x 18.3
Body Weight (kg/lbs)	12.3 / 27.1
Full Weight with Manual Yoke (kg/ lbs)	13.8 / 30.4
Protection Class	IP20

## Dimension



## Photometric Diagram

FS5000	Distance	Value	illuminance
<b>5600K</b>	3m (50°)	4130	Lux
	5m (50°)	1620	Lux
	7m (50°)	850	Lux
	9m (50°)	535	Lux

