

New | Hot

# ALPHA 3060

## ALPHA LITE 7 Color LED Fresnel Spot Light Data Sheet

### Fixture Information

The α7c series is the 3rd generation of LED lighting with a new light source/optical solution for lighting control and an innovative operation interface. It is a package lighting composed of LED spot / LED panel with 6 Color + 2 White

ultra-high-capacity LED engine and ALPHA LITE's unique 'α Algorithm'. Overcome the limits of the color expression gamut and color temperature range that existing White lighting and RGB lighting,

it became possible to expression for Moonlight from Daylight-focused lighting, perfect color expression, and strong brightness at the same time.



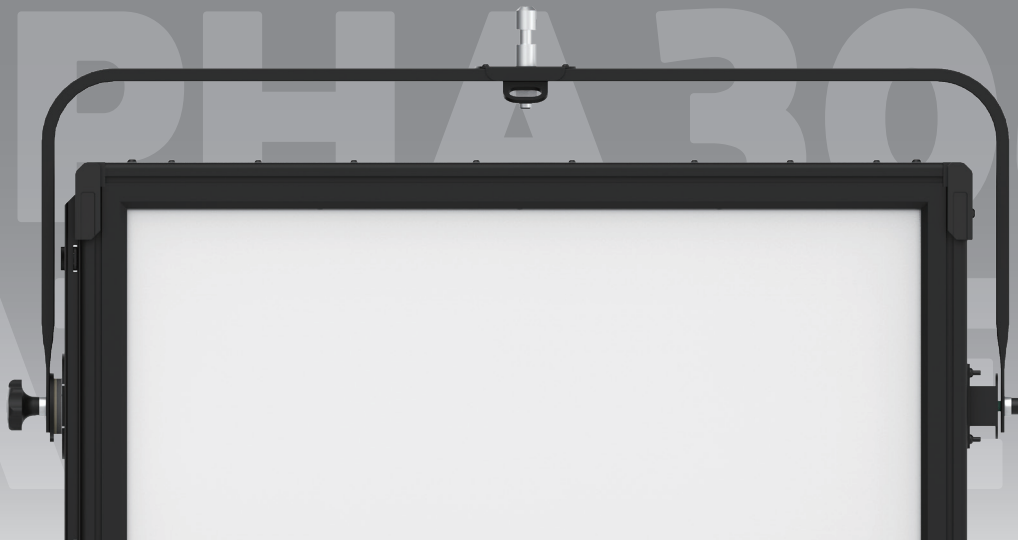
**ALPHA SEVEN COLOR Series**

- CRI / TLCI Up to 99.5%
- 2,000~35,000K Color temperature variable
- Light distribution angle adjustment through Multi-array lens and Micro diffuser
- Color correction function to adjust the emotional feeling and color of halogen lighting

### Optional Accessories

- |                 |                     |                  |               |              |
|-----------------|---------------------|------------------|---------------|--------------|
| Manual yoke     | Pole operation yoke | Power cable      | DMX cable     | Safety chain |
| 4 leaf barndoor | Clamp               | Multi array lens | Diffuser lens | Soft box     |

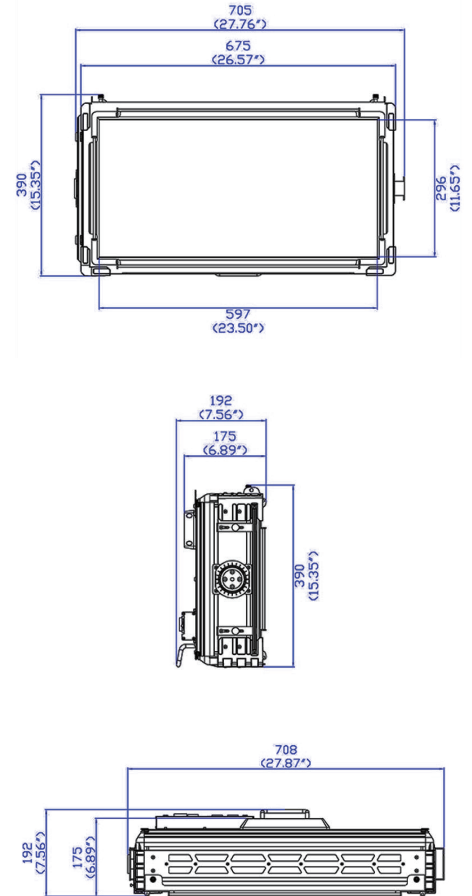
- |                           |                     |                      |              |                     |                                 |                   |                              |
|---------------------------|---------------------|----------------------|--------------|---------------------|---------------------------------|-------------------|------------------------------|
| <b>UHD</b><br>Quality     | <b>CRI 95°</b>      | <b>TCRI 95°</b>      | Flicker Free | Smart Touch Control | Upgrade<br>USB Firmware Upgrade | Long LED Lifetime | Variety Color Representation |
| Ultra HD Lighting Quality | High CRI True Color | High TLCI True Color |              |                     |                                 |                   |                              |



## Specifications

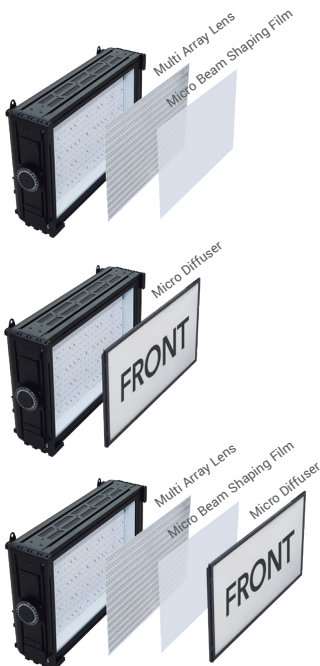
LED Chip Type	0.5W 6 Color + 2 White LED engine
Estimated LED Lifetime (hours)	50,000
White Light (K)	2,000-35,000 (VCT)
Full Color Light	Full RGB + Amber + Lime + Cyan + Warm White + Cool White (7Color Gamut with Hue and Saturation Control)
Color Rendition (%)	CRI 95-99.5 / TLCI 95-99.5
Dimming (%)	0-100 (16-bit)
Light Aperture Size (mm/inch)	597 x 297 / 23.5 x 11.7
Beam Angle (°) (Standard)	115
Signal Control	5-Pin DMX In and Out
Individual Control	Smart Touch LCD Controller
Supported Protocol	DMX512 / RDM
(Optional) Supported Protocol	DMX512 Wireless / RDM Wireless
Remote Device Management	Supported
Channel Function	Dimming / CCT / Cross Fader / RGBW / Tint / Color Macro
Power Input Voltage	AC 100-240V / 50-60Hz
Power Consumption (W)	450
Ambient Temperature Operation (°C)	-20-45
Body Dimensions (mm/inch) (WHD)	708 x 390 x 192 / 27.9 x 15.4 x 7.6
Full Dimensions with Manual Yoke (mm/inch) (WHD)	779 x 500 x 192 / 30.7 x 19.7 x 7.6
Body Weight (kg/lbs)	10 / 22
Full Weight with Manual Yoke (kg/lbs)	11.2 / 24.7
Protection Class	IP20

## Dimension



## Photometric Diagram

\* The intensity data may have  $\pm 5\%$  tolerance depend on CCT or film type.



Distance	3m	5m	7m	9m
▷ Multi Array (No Diffusion) / 55°	2796	1007	514	310

Distance	3m	5m	7m	9m
▷ Front side Micro Lens (Wide Diffusion-smooth light) / 120°	1113	401	205	123
▷ Flip Side Micro Lens (Focused Diffusion-bright light) / 85°	1527	550	281	118

Distance	3m	5m	7m	9m
▷ Front side Micro Lens (Wide Diffusion-smooth light) / 110°	1124	405	207	125
▷ Flip Side Micro Lens (Focused Diffusion-bright light) / 77°	1805	650	332	200