

New | Hot

A4-PLUS-J

ALPHA LITE New Version LED Panel Light Data Sheet

Fixture Information

- Flat light source lighting fixture, which is mainly used in broadcasting studios
 - Light that does not expose the light source, with less glare, evenly and extremely soft light distribution
 - Excellent light quality, and average CRI 95~98 / R9, R12 are CRI 90 or higher
 - Beam cutting is excellent by adjusting the angle of the barn-door
 - Measured same LUX data at both 3200K / 5600K which shows stable and reliable
- Optical Technique**
- High efficiency and light saturation by using Micro diffusing lens, and excellent photometric flatness
 - 2,500~10,000K color temperature control function
 - R, G, B Full Color LEDs are combined to create a scene for all acting parts and a variety of atmospheres
 - Support RDM network communication and various mode setting possible
- Smart touch control method makes it easy and convenient to check all information at a glance
 - The materials are made by metal, has good ability to reduce heat, and has the slot to install the soft(diffusing) filter
 - Housing is designed for easy maintenance and repair
 - Long life, reduces maintenance costs and power consumption

Optional Accessories

- | | | | | |
|-----------------|---------------------|------------------|---------------|--------------|
| Manual yoke | Pole operation yoke | Power cable | DMX cable | Safety chain |
| 4 leaf barndoor | Clamp | Multi array lens | Diffuser lens | Soft box |

- | | | | | | | | |
|---------------------------|--------------------------|---------------------------|--------------|---------------------|---------------------------------|-------------------|------------------------------|
| UHD
Quality | CRI
95° | TCRI
95° | Flicker Free | Smart Touch Control | Upgrade
USB Firmware Upgrade | Long LED Lifetime | Variety Color Representation |
| Ultra HD Lighting Quality | High CRI True Color | High TLCI True Color | Flicker Free | Smart Touch Control | USB Firmware Upgrade | Long LED Lifetime | Variety Color Representation |

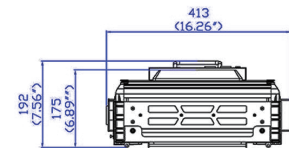
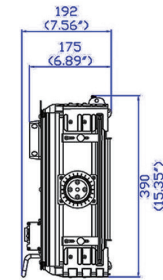
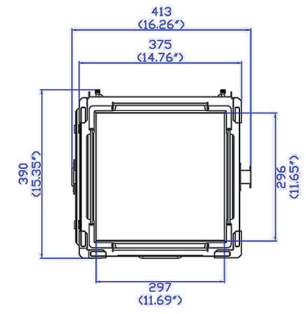


A4-PLUS-J
DATA SHEET

Specifications

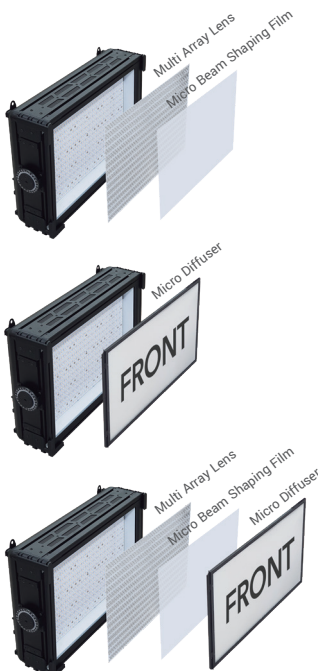
LED Chip Type	0.5W Full RGBW LED
Estimated LED Lifetime (hours)	50,000
White Light (K)	2,500-10,000 (VCT)
Full Color Light	Full RGB+W (4Color Gamut with Hue and Saturation Control)
Color Rendition (%)	CRI 97 / TLCI 97
Dimming (%)	0-100 (16-bit)
Light Aperture Size (mm/inch)	297 x 297 / 11.7 x 11.7
Beam Angle (°) (Standard)	115
Signal Control	5-Pin DMX In and Out
Individual Control	Smart Touch LCD Controller
Supported Protocol	DMX512 / RDM
(Optional) Supported Protocol	DMX512 Wireless / RDM Wireless
Remote Device Management	Supported
Channel Function	Dimming / CCT / Cross Fader / RGBW / Tint / Color Macro
Power Input Voltage	AC 100-240V / 50-60Hz
Power Consumption (W)	230
Ambient Temperature Operation (°C)	-20-45
Body Dimensions (mm/inch) (WHD)	413 x 390 x 192 / 16.3 x 15.4 x 7.6
Full Dimensions with Manual Yoke (mm/inch) (WHD)	491 x 500 x 192 / 19.3 x 19.7 x 7.6
Body Weight (kg/lbs)	6.6 / 14.6
Full Weight with Manual Yoke (kg/lbs)	6.7 / 14.8
Protection Class	IP20

Dimension



Photometric Diagram

* The intensity data may have ±5% tolerance depend on CCT or film type.



Distance	3m	5m	7m	9m
▷ Multi Array (No Diffusion) / 55°	1388	500	255	154

Distance	3m	5m	7m	9m
▷ Front side Micro Lens (Wide Diffusion-smooth light) / 120°	558	201	103	62
▷ Flip Side Micro Lens (Focused Diffusion-bright light) / 85°	791	285	145	88

Distance	3m	5m	7m	9m
▷ Front side Micro Lens (Wide Diffusion-smooth light) / 110°	576	208	106	64
▷ Flip Side Micro Lens (Focused Diffusion-bright light) / 77°	902	325	166	100