

TL30 FOCUS ZOOM

ALPHA LITE LED Track Light Data Sheet

Fixture Information

- Angle adjustable
- High color rendering of CRI 90 or higher
- COB LED Chip
- All-in-one Main drive controller
- RDM network communication possible
- Maintain the last signal when DMX signal is lost
- Dimming curve selectable (Linear & curve dimming)

Optional Accessories



4 leaf barndoor



Diffuser



Honeycomb



CRI
95°

High CRI
True Color



TCRI
95°

High TLCI
True Color



Flicker Free



Long LED
Lifetime



Shapable



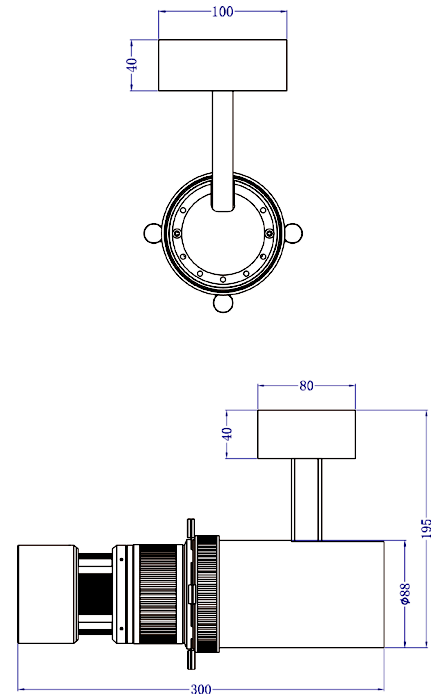
Zoomable



Specifications

LED Chip Type	32W
Estimated LED Lifetime (hours)	50,000
White Light (K)	5600
Color Rendition (%)	97
(Optional) Dimming with Controller (%)	0-100 (16-bit)
Beam Angle (°)	5-20 Shapable Round / Square / Rectangle
Signal Control	6 way Track rail DMX
(Optional) Individual Control	Dip Switch
(Optional) Supported Protocol	DMX512 with Controller
Remote Device Management	Not Supported
Channel Function	Dimming
Track Adapter	4-way / (Option) 6-way
Power Input Voltage	AC 200-240V
Power Consumption (W)	28.8
Body Dimensions (mm/inch) (DIA x L)	ø88 x 300
Body Weight (kg/lbs)	2 / 4.4

Dimension



(Optional) LED Track Light Controller



WWW.ALPHA-LITE.NET

