

Hot | High Power

FS1000

ALPHA LITE LED Fresnel Spot Light Data Sheet

Fixture Information

- FS Series uses a multi-focusing zoom lens based on ALPHA LITE's unique technology
- There is no yellowing phenomenon at the boundary of illuminated light
- FS Series is a single light source with a large capacity, such as a halogen lamp, and the texture of the light source projected by the lens is very soft
- The boundary of the shadow is formed smoothly without sharpness
- Excellent light quality, and average CRI 95~98 / R9, R12 are CRI 90 or higher
- Measured same LUX data at both 3200K / 5600K which shows stable and reliable Optical Technique
- Beam cutting is excellent by adjusting the angle of the barn-door
- FS Series is light weight compare to capacity, and designed sturdy housing
- Support RDM network communication and various mode setting possible
- Smart touch control method makes it easy and convenient to check all information at a glance
- Housing is designed for easy maintenance and repair
- Long life, reduces maintenance costs and power consumption

Optional Accessories

- Manual yoke
- Pole operation yoke
- Power cable
- DMX cable
- Safety chain
- 4 leaf barn door
- Filter frame
- Clamp
- Soft box
- Jemball



Ultra HD Lighting Quality



Halogen Alternative



No Heavy Weight



High CRI True Color



High TLCI True Color



Flicker Free



Smart Touch Control



USB Firmware Upgrade



Long LED Lifetime



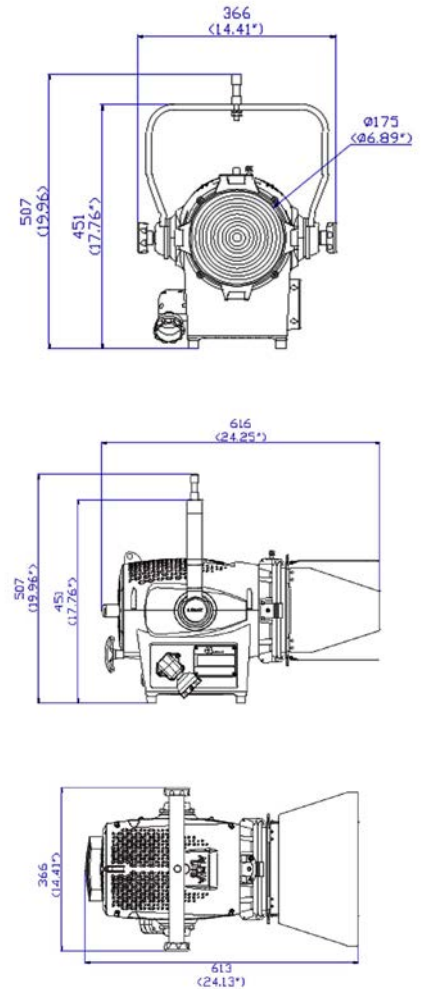
FS1000 DATA SHEET

Specifications

LED Chip Type	300W CSP LED
Estimated LED Lifetime (hours)	50,000
White Light (K)	2,900-6,000 (VCT/FCT)
Color Rendition (%)	CRI 98 / TLCI 98
Dimming (%)	0-100 (16-bit)
Lens Diameter (mm/inch)	170 / 6.7
Beam Angle (°)	15-55
Signal Control	5-Pin DMX In and Out
Individual Control	Smart Touch LCD Controller
Supported Protocol	DMX512 / RDM
(Optional) Supported Protocol	DMX512 Wireless / RDM Wireless
Remote Device Management	Supported
Channel Function	Dimming / CCT
Power Input Voltage	AC 100-240V / 50-60Hz
Power Consumption (W)	200
Ambient Temperature Operation (°C)	-20-45
Body Dimensions (mm/inch) (WHD)	282 x 337 x 401 / 11.1 x 13.3 x 15.8
Full Dimensions with Manual Yoke (mm/inch) (WHD)	366 x 507 x 401 / 14.4 x 20 x 15.8
Body Weight (kg/lbs)	7.6 / 16.8
Full Weight with Manual Yoke (kg/lbs)	8.8 / 19.4
Protection Class	IP20

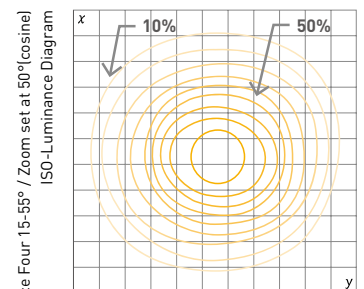
※ 표시된 출력용량은 할로겐 조명을 기준으로 함. 색온도에 따라서 출력용량이 달라질 수 있음.
 ※ 무소음 팬 적용.

Dimension



Photometric Diagram

FS1000	Distance	Value	illuminance
5600K	3m (50°)	944	Lux
	5m (50°)	350	Lux
	7m (50°)	203	Lux
	9m (50°)	123	Lux



Beam Angle	3m
Spot	1.04m
Flood	3.02m

